

Recessed Low Voltage Media Plate

with Duplex Receptacle 45-0031-WH

with Duplex Surge Suppressor 45-0041-WH



DataComm Electronics, Inc.

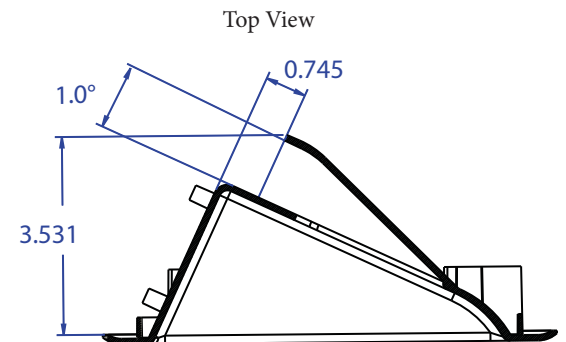
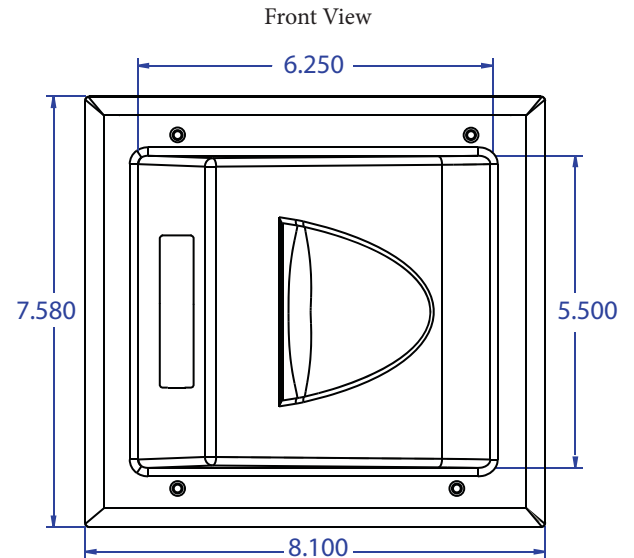
888.223.7977 / 770.662.8205 / www.datacommelectronics.com

SPECIFICATIONS: 45-0031-WH

- ▶ Duplex Receptacle
- ▶ Plastic: ABS, UL
- ▶ 15 Amp/125 Volt tamper resistant, duplex receptacle*
- ▶ Old work box included
- ▶ Mounting wings are molded into the media plate and fasten tightly against the back of the drywall

SPECIFICATIONS: 45-0041-WH

- ▶ Surge Receptacle
- ▶ Plastic: ABS, UL
- ▶ Outlet box included
- ▶ Mounting wings are molded into the media plate and fasten tightly against the back of the drywall
- ▶ 15 Amp/125 Volt duplex surge receptacle with replaceable Surge Bloc®*:
 - Maximum surge current - 12,000 amps
 - Peak suppression voltage - 1,000 volts
 - Hot/Neutral, Hot/Ground, Neutral/Ground
 - Total maximum surge dissipation - 340 joules

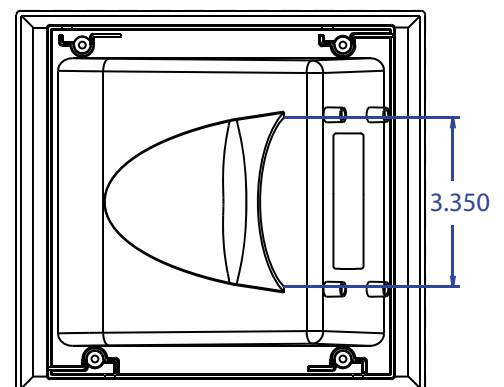


Replaceable Surge Bloc®

Part Number: 45-0041-SB

Description: Surge Bloc® replacement for 45-0041-WH

Back View



RoHS Compliant. *UL Listed Component.

This product is patent protected by U.S. Patent numbers: D553475, D554475, and 7390964.